



contrac

# 14" ROUGH-IN TANK

4.8Lpf / 1.28Gpf

- 4724BFV Lined Tank
- 4724BFVU Unlined Tank

### Product Specs:

- High efficiency tank
- 4.8Lpf / 1.28Gpf
- Vitreous china
- Chrome tank lever
- 14" (356mm) Rough-in
- 3" Flapper

### Overall Dimensions:

440mm(W) x 260mm(D) x 365mm(H)  
 17¼"(W) x 10¼"(D) x 14⅜"(H)

### Compliance Certifications:

Meets or exceeds the following:

- IAPMO cUPC
- US EPA WaterSense

*Please note: In order to comply with WaterSense certification this tank must be used with Carlin (4722BFV), Cody (4722BEV) and Crista (4722BHV) bowls.*

- ASME A112.19.2 / CSA B45.1-2008

### Shipping:

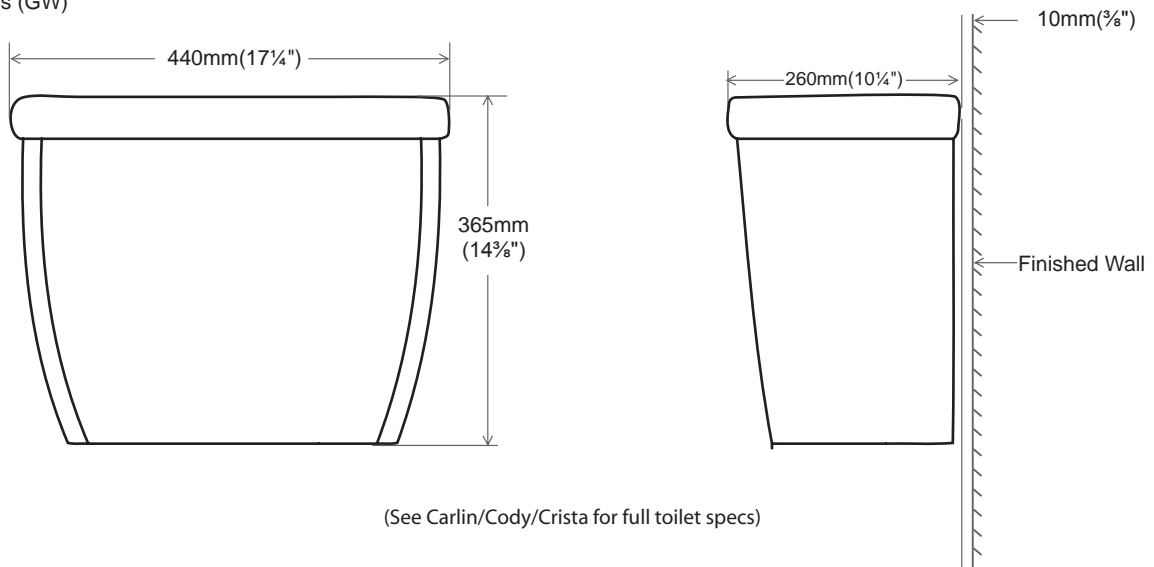
**Tank** 2.64 cube  
 40 lbs (GW)



Colours To Be Specified:  
 Colour:  Soft White

### Notes:

This toilet is designed to rough-in at a minimum dimension of 356mm (14") from finished wall to C/L of outlet. Supply line not included with fixture and must be ordered separately. Important: Dimensions of fixtures are nominal and may vary within the range of tolerances established by ANSI standard A112.19.2. These measurements are subject to change or cancellation. No responsibility is assumed for use of superseded or voided pages.



(See Carlin/Cody/Crista for full toilet specs)