



contrac

CANE - LOCKING TANK LINED TANK

- 4721BFT-L **6Lpf / 1.6Gpf**
- 4721BFV-L **4.8Lpf / 1.28Gpf**
(Available 4th Quarter 2011)

Product Specs:

- Vitreous china
- Allen key locking mechanism
- Chrome tank lever
- Applicable for 12" Rough-in bowls only
-
- **6Lpf / 1.6Gpf**
- Low consumption tank
- 2" flapper
- Fits Carlin (4722BFT), Cody (4722BET) and Crista (4722BIT) bowls
-
- **4.8Lpf / 1.28Gpf**
- High efficiency tank
- 3" flapper
- Fits Carlin (4722BFV), Cody (4722BEV) and Crista (4722BHV) bowls

Overall Dimensions:

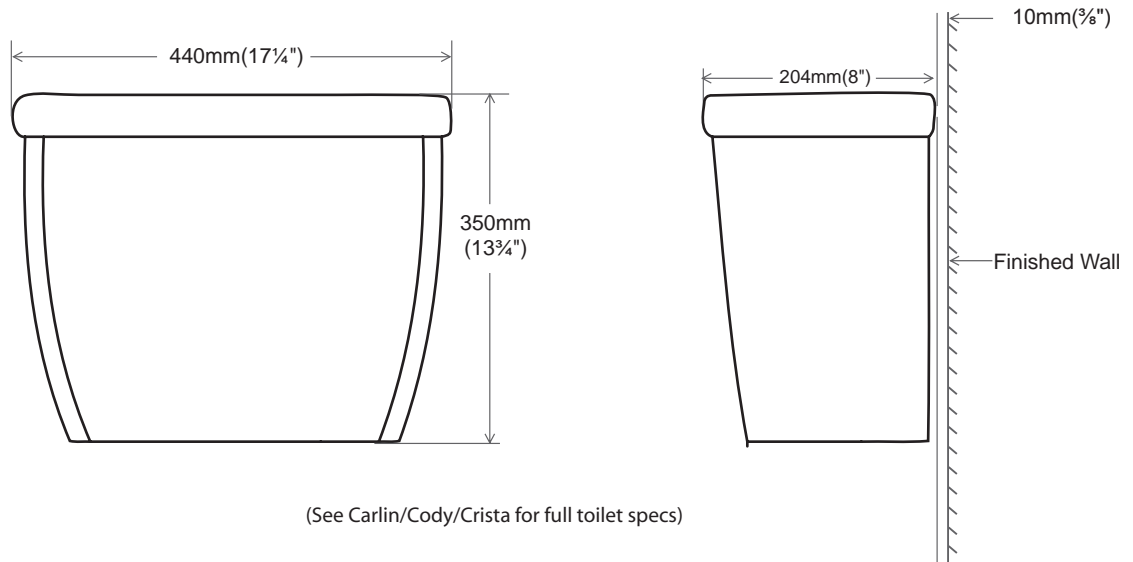
440mm(W) x 204mm(D) x 350mm(H)
17¼"(W) x 8"(D) x 13¾"(H)

Compliance Certifications:

- Meets or exceeds the following:
- IAPMO cUPC
 - ASME A112.19.2 / CSA B45.1-2008

Shipping:

Tank 1.93 cube
 34 lbs (GW)



(See Carlin/Cody/Crista for full toilet specs)



Notes:

This toilet is designed to rough-in at a minimum dimension of 305mm (12") from finished wall to C/L of outlet. Supply line not included with fixture and must be ordered separately.

Important: Dimensions of fixtures are nominal and may vary within the range of tolerances established by ANSI standard A112.19.2. These measurements are subject to change or cancellation. No responsibility is assumed for use of superseded or voided pages.