



CARMIN WALL MOUNT SINK WITH LEDGE

contrac

- 4610BHZ **Single Hole**
- 4640BHZ **4" Center**
- 4680BHZ **8" Center**

Product Specs:

- Vitreous china
- Rear overflow hole
- Single hole, 4" or 8" faucet center
- Mounting bracket and hardware supplied
- For concealed arm carrier or metal support legs (provided by others) installation
- Back splash ledge
- Faucet not included

Overall Dimensions:

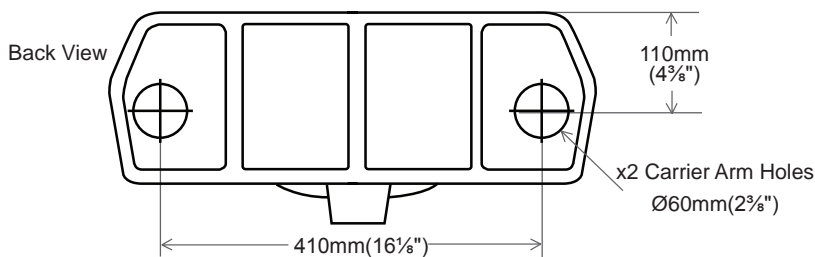
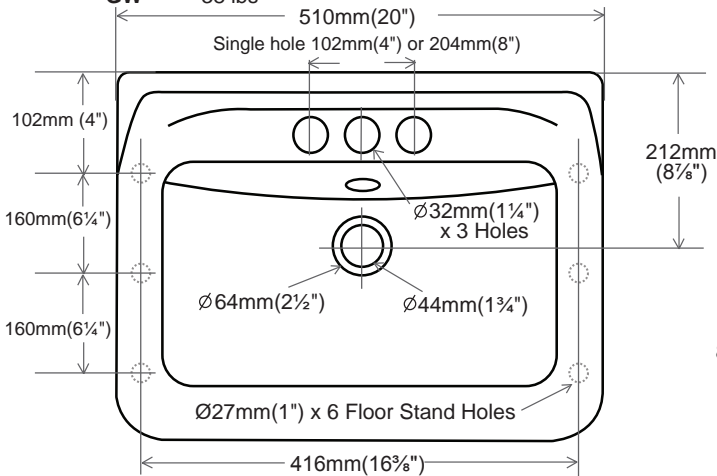
510mm(W) x 467mm(D) x 262mm(H)
 20"(W) x 18³/₈"(D) x 10³/₈"(H)

Compliance Certifications:

- Meets or exceeds the following:
- IAPMO cUPC
 - ASME A112.19.2 / CSA B45.1-2008
 - ADA Guidelines & ANSI A117.1

Shipping:

Cube 2.87
GW 38 lbs



Colours To Be Specified:
 Colour: Soft White

Notes:
 Dimensions of fixtures are nominal and may vary within the range of tolerances established by ANSI standard A112.19.2. These measurements are subject to change or cancellation. No responsibility is assumed for use of superseded or voided pages.

Products are designed to comply ADA/ANSI A117.1 Standard. It shall be the responsibility of the installer to comply with the local disability codes and standards prior to installing the product.

