



contrac

CAPRICE PEDESTAL LAVATORY

- 4313DMX Basin with Single Hole
- 4343DMX Basin with 4" Center
- 4383DMX Basin with 8" Center
- 4344DMX Pedestal Leg

Product Specs:

- Vitreous china
- Rear overflow hole
- Single hole, 4" or 8" faucet center
- Supplied with mounting hardware
- Faucet not included

Overall Dimensions:

580mm(W) x 482mm(D) x 865mm(H)
22¾"(W) x 19"(D) x 34"(H)

Compliance Certifications:

- Meets or exceeds the following:
- IAPMO cUPC
 - ASME A112.19.2 / CSA B45.1-2008

Shipping:

- Basin** 2.36 cube
43 lbs (GW)
- Leg** 0.8 cube
24 lbs (GW)

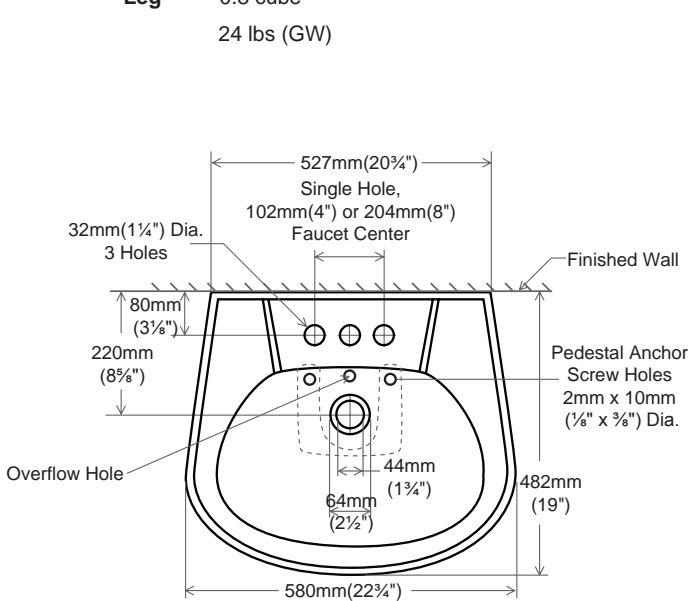


Colours To Be Specified:

- Colour: Soft White
 Bone (055)
 Biscuit (066)

Notes:

Dimensions of fixtures are nominal and may vary within the range of tolerances established by ANSI standard A112.19.2. These measurements are subject to change or cancellation. No responsibility is assumed for use of superseded or voided pages.



Note:

▲ Dimensions shown for location of supplies and waste are suggested.
*Actual dimensions must be taken from fixture.

