



contrac

CAILYN ROUND DROP-IN SINK

- 4110BRW **Single Hole**
- 4140BRW **4" Center**
- 4180BRW **8" Center**

Product Specs:

- Vitreous china
- Front overflow hole
- Single, 4" or 8" faucet center
- Template supplied
- Faucet not included

Overall Dimensions:

483mm(W) x 483mm(D) x 204mm(H)
19"(W) x 19"(D) x 8"(H)

Compliance Certifications:

- Meets or exceeds the following:
- IAPMO cUPC
 - ASME A112.19.2 / CSA B45.1-2008
 - ADA Section 4.19

Shipping:

Cube 1.27
GW 20 lbs

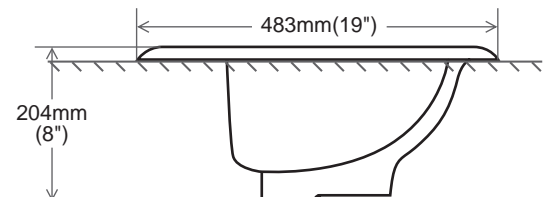
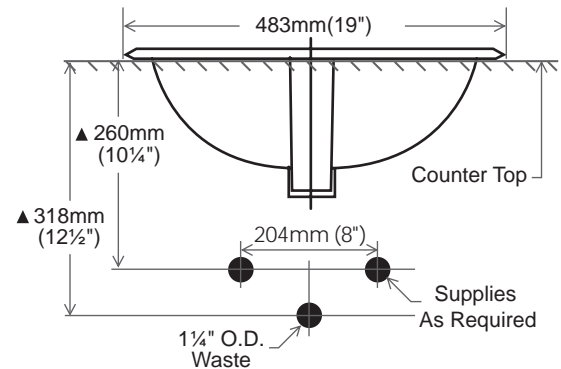
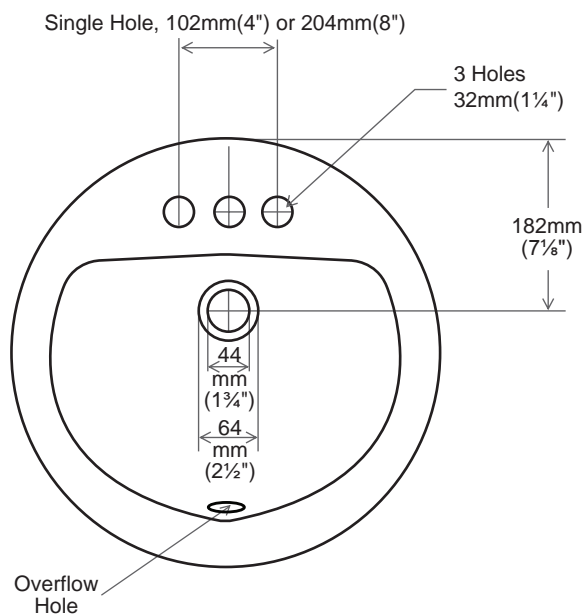


Colours To Be Specified:
Colour: Soft White

Notes:

Dimensions of fixtures are nominal and may vary within the range of tolerances established by ANSI standard A112.19.2. These measurements are subject to change or cancellation. No responsibility is assumed for use of superseded or voided pages.

This product is designed to comply with ADA requirements, if installed according to the standard. It is the responsibility of the installer to comply with this standard prior to installation.



Note:

▲ Dimensions shown for location of supplied and waste are suggested.